

Powerful rear-loading machine for professional milling operations.

Cold Milling Machine

W 50 R | W 50 Ri | W 60 R | W 60 Ri



WIRTGEN



THE POWERFUL HALF-METRE COLD MILLING MACHINE CONVINCES WITH ITS EFFICIENT OPERATING CONCEPT.

THE EASY-TO-USE ADDITIONAL AND AUTOMATIC FUNCTIONS INCREASE ITS PERFORMANCE POTENTIAL FOR CARRYING OUT CONSTRUCTION JOBS AT A FAST PACE.

THE LEVELLING SYSTEM LEVEL PRO **PLUS** INTEGRATED IN THE MACHINE CONTROL SYSTEM PROVIDES PRECISE MILLING RESULTS.

A VARIETY OF VARIOUS MILLING DRUMS ENABLE HIGH LEVELS OF FLEXIBILITY AND MACHINE PERFORMANCE.

TO OPTIMIZE THE MATERIAL LOADING PROCESS, THE POWERFUL REAR-LOADING SYSTEM CAN BE FLEXIBLY ADJUSTED.

Powerful rear-loading machine for professional milling operations.



At a glance: outstanding features of the cold milling machine

04
05

1 | PRECISE, INTUITIVE LEVELLING WITH LEVEL PRO PLUS

- > Easy and intuitive operation
- > Fully integrated into the machine management system
- > Many newly added complementary and automated features
- > Milling depth measurement via displacement sensors in the hydraulic cylinders of the side plates
- > Ultrasonic sensor integrated in the telescoping levelling arm, left

2 | EFFICIENT MULTIFUNCTIONAL ARMREST

- > Ergonomically designed multifunctional armrest with colour control screen
- > Additional machine height adjustment feature included in the multifunctional armrest
- > Display of job data on the control screen
- > User-programmable "Favourites" keys

3 | PERFECTION IN VISIBILITY, COMFORT AND ERGONOMIC DESIGN

- > Perfect view of the side plates, left and right
- > High-quality camera system to provide a direct view of important work processes
- > Ergonomically designed comfort driver's seat including seat heating

4 | EFFECTIVE STEERING FEATURES

- > Wide offset front wheels
- > Extremely large locking angle of the front wheels
- > Automatic self-steering feature for the right-hand rear wheel

5 | DYNAMIC AND QUICK MANOEUVRING

- > Travel speed of up to 12 km/h
- > Swift steering using the steering wheel
- > Highly precise steering via the fingertip steering feature integrated in the multifunctional armrest
- > Reversing with the milling drum switched on

6 | QUICK PIVOTING OF THE RIGHT-HAND REAR WHEEL

- > Quick, automatic pivoting of the right-hand rear wheel without lowering the milling drum to the ground
- > Safe and firm locking in end position
- > Heavy-duty friction bearing



10 |

BEST-IN-CLASS PRODUCTIVITY

- > Tremendous engine power at maximum torque
- > State-of-the-art engine control to minimize diesel consumption
- > Three different milling drum speed options
- > Hydraulically engaging power belt tensioner

9 |

HIGH TRACTION ENSURED BY OPTIMUM WEIGHT DISTRIBUTION

- > Variable supplementary weights of up to 1,000 kg
- > Extremely low centre of gravity
- > Centrally arranged water and diesel tanks in neutral position
- > High machine stability in both three-wheel and four-wheel design



8 |

HIGH LOADING CAPACITY FOR MAXIMUM PERFORMANCE

- > Extra-large belt width of 350 mm and cleat height of 25 mm for high conveying capacity
- > Wide conveyor slewing angles
- > Hydraulic folding conveyor for quick folding during operation on site
- > Quick-release coupling for easy mounting and removal of the discharge conveyor

7 |

SUPERIOR CUTTING TECHNOLOGY BOOSTS PERFORMANCE

- > Wear-resistant HT08 toolholder system
- > Minimum distance between machine edge and milling edge to minimize non-milled strips
- > Hydraulically lifting side plates with proactive floating feature causing the side plates to be lifted automatically in loose ground
- > Automatic raising of scraper by means of an overload sensor
- > Scraper disconnected from loading conveyor to allow partial loading even at the maximum milling depth
- > Broom to clean the milled surface

Highlights

in operation





FOLLOW YOUR INTUITION

YOU WILL COMPLETE THE JOB QUICKLY AND WITHOUT FAIL. EASY, INTUITIVE OPERATION GIVES YOU FULL CONTROL OF THE PROCESS. FAMILIAR WITH THE W 50 R/W 50 Ri/W 60 R/W 60 Ri IN NO TIME AT ALL. ADD TO THIS UNMATCHED ERGONOMICS, COMFORT AND VISIBILITY ON THE OPERATOR'S PLATFORM. INNOVATIVE COMPUTER-ASSISTED SYSTEMS FACILITATE EVERYDAY WORK. FULL FOCUS ON THE MILLING PROCESS. MAKING CHILD'S PLAY OF EVERY JOB.

Precise, intuitive levelling with **LEVEL PRO PLUS**

08
09

In cold milling, it is crucial to remove the road pavement to the specified depth. The intuitive WIRTGEN **LEVEL PRO PLUS** levelling technology can be relied on to precisely maintain the specified milling depth.

EASY AND INTUITIVE OPERATION

The new **LEVEL PRO PLUS** levelling system developed specifically for cold milling machines offers intuitive, one-hand operation via a rotary control and free menu configuration. Precise milling results are one of the hallmarks of the **LEVEL PRO PLUS** system.

FULLY INTEGRATED

Full integration of the **LEVEL PRO PLUS** levelling system into the machine management system allows a high degree of automation.

COMPLEMENTARY AND AUTOMATED FEATURES

The **LEVEL PRO PLUS** levelling system offers many complementary and automated features which relieve the operator of a part of his workload. This also results in a faster progress of operations.

DISPLACEMENT SENSORS

The reference line is scanned by high-precision displacement sensors in the hydraulic cylinders of the side plates and then displayed on the high-resolution **LEVEL PRO PLUS** control screen.

LEVELLING ARM

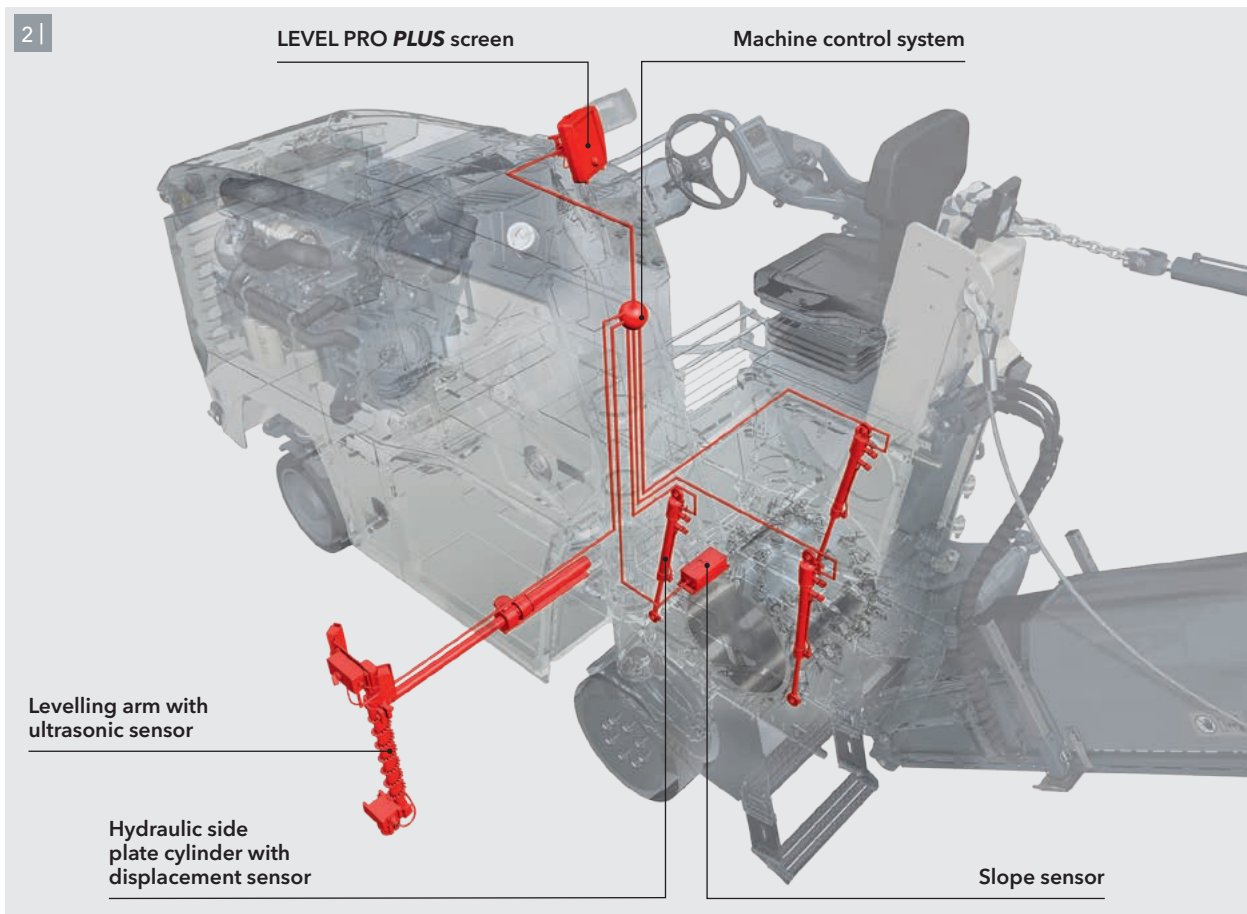
The telescoping levelling arm with ultrasonic sensor allows sensing along reference surfaces at a distance of up to 2.0 m to the left of the machine, ensuring perfect milling results even in complex levelling situations.



1 | LEVEL PRO PLUS is synonymous with perfect levelling quality at high operating speeds.

2 | The levelling system can be operated with a wide variety of different sensors.

3 | Ease of operation ensures an efficient levelling process.



Efficient multifunctional armrest

10
11

The efficient multifunctional armrest of the W 50 R/ W 50 Ri/ W 60 R/ W 60 Ri not only speeds up work processes and improves results: operators also derive greater satisfaction from their work.

ERGONOMICALLY DESIGNED MULTIFUNCTIONAL ARMREST

The multifunctional, individually adjustable armrest combines innovative design and perfect user-friendliness. Important information is displayed on the colour control screen. The multifunctional armrest has been fully integrated into the standardized operating concept of the entire fleet of WIRTGEN small milling machines and allows productive operation right from the start.

JOB DATA

Information such as the weight and volume of the milled material, size of the milled areas, or number of trucks loaded can be displayed automatically. These job data enable the logging of daily production rates.

"FAVOURITES" KEYS

Four "Favourites" keys can be programmed with twenty different functions according to the operator's personal preferences.

ADDITIONAL HEIGHT ADJUSTMENT FEATURE

The hydraulic proportional height adjustment of the machine including milling depth memory feature is effected conveniently via the multifunctional armrest.

11



1 | The operator needs one hand only to be in full control.

2 | The ergonomically designed operator's platform with multifunctional armrest boosts machine productivity.



Perfection in visibility, comfort and ergonomic design

Perfect visibility, operator comfort and ergonomic design are key efficiency drivers especially in the long term. At the end of the day, they translate into higher productivity and profitability in every job.

PERFECT VISIBILITY

The geometry of the operator's platform has been optimized to ensure an unobstructed view not only of the right-hand but also of the left-hand side plate. In addition, the slender design of the machine frame provides an unobstructed view of the milling edge on the right, and the compact design of the conveyor suspension permits a good view of the milled surface at the rear of the machine.

1 | *Ergonomic working boosts productivity.*

2 | *An unobstructed view of the side plates on the left and right is ensured.*

HIGH-QUALITY CAMERA SYSTEM

The camera system comprises two cameras plus a hard-wearing screen. One camera each is installed at the end of the discharge conveyor and underneath the machine, delivering high-resolution images to the screen of the loading situation and of the area in front of the milling drum housing.


COMFORT DRIVER'S SEAT

The ergonomically designed, swivelling comfort seat offers seat heating and promotes relaxed working. In addition, it provides the operator with a good view to the sides and to the rear of the machine.









Highlights in driving and steering

ON THE ROAD OF SUCCESS - THE INTELLIGENT WAY

QUICK TURNING MANOEUVRES IN EXTREMELY RESTRICTED SPACE CONDITIONS. MINIMUM MILLING RADII. MOVING FROM ONE JOB LOCATION TO THE NEXT IN NO TIME. MILLING AND MANOEUVRING ON MUDDY GROUND. EVERYDAY ROUTINE ON THE MILLING SITE. TRIED-AND-TESTED WIRTGEN TECHNOLOGIES PUT YOUR COMMANDS INTO ACTION IMMEDIATELY. THE W 50 R/W 50 Ri/W 60 R/W 60 Ri CARRIES IT OFF QUICKLY WITH SOLUTIONS GEARED TO FIELD REQUIREMENTS. YOU MASTER DIFFICULT SITUATIONS WITH A COOL HEAD AND WITHOUT LOSING TIME.

Effective steering features

16
17

The W 50 R/W 50 Ri/W 60 R/W 60 Ri is the most agile cold milling machine in its class. Whether milling extremely small radii, turning in narrow passages or negotiating obstacles: it makes full use of its time-saving potential.

WIDE OFFSET FRONT WHEELS

The front wheels are offset by 15 cm (in four-wheel design), which allows them to travel in the same track when the steering wheel is turned to the right. This feature optimizes the machine's approach to obstacles or edges in the ground. In addition, the extra-wide front wheels ensure low surface loads at reduced wear and tear.

EXTREMELY LARGE LOCKING ANGLE

Extremely large locking angles to the left and right guarantee extremely small turning radii to allow quick manoeuvring even in narrow passages.

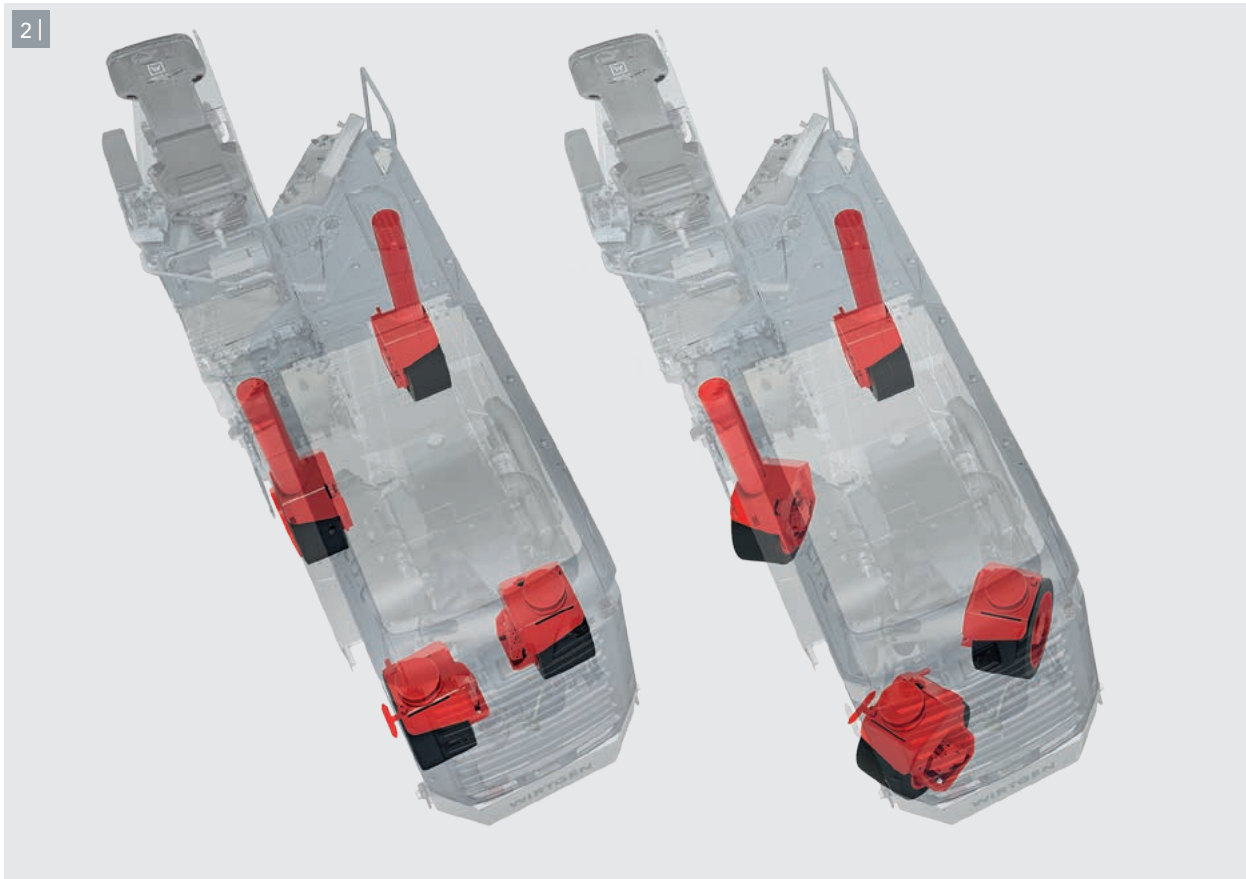
AUTOMATIC SELF-STEERING FEATURE

Automatic self-steering of the right-hand rear wheel when pivoted in front of the drum not only gives the small milling machine unrivalled manoeuvrability but also minimizes tyre wear and tear.



1 | The machine's extremely large locking angle facilitates operations on construction sites offering limited space.

2 | Offset front wheels improve the machine's approach to obstacles or edges in the ground.



Dynamic and quick manoeuvring

1 | *Fingertip steering allows precise steering movements.*

2 | *Quick manoeuvring in narrow passages is an easy exercise for the small milling machine.*

The W 50 R/W 50 Ri/W 60 R/W 60 Ri is also the fastest cold milling machine in its class. It always crosses the finish line first when driving to the next milling site briskly and under its own steam.

SWIFT STEERING

When extra-quick steering is required - for example, when manoeuvring or turning - the machine is steered via the steering wheel as usual.

FINGERTIP STEERING

The highly responsive hydraulic steering system enables the machine to be steered precisely and effortlessly also via the right-hand multifunctional armrest.

MAXIMUM SPEED OF OF 12 KM/H

Travel speeds of up to 8 km/h (three-wheel design) and 12 km/h (four-wheel design), respectively, ensure the quick completion of construction projects.

REVERSING WITH THE MILLING DRUM SWITCHED ON

Reversing with the milling drum switched on permits fast and easy manoeuvring on the job site.



Quick pivoting of the right-hand rear wheel

When pivoted in front of the milling drum, the right-hand rear wheel allows precise milling along obstacles such as kerbs or walls.

AUTOMATIC PIVOTING FEATURE

The right-hand rear wheel can be pivoted in front of the milling drum hydraulically from the operator's platform to allow milling along kerbs or other obstacles - without having to lower the milling drum to the ground. The process is completed very quickly within a mere thirty seconds. As the milling drum is not in contact with the ground during the pivoting process, there is no risk of damage to the cutting tools or the ground surface.

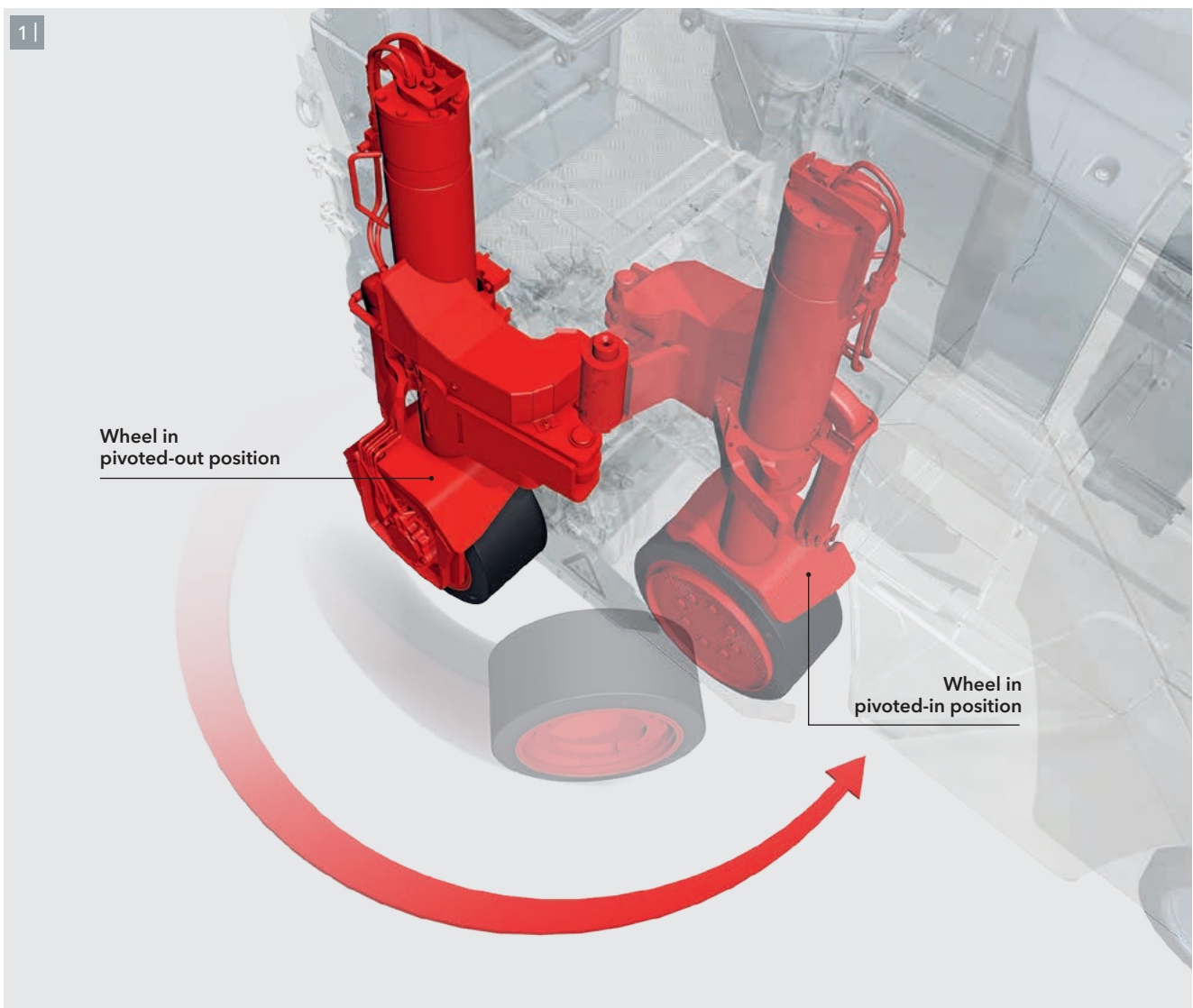
FIRM LOCKING

Safe and firm locking of the right-hand rear wheel to the machine frame when in end position minimizes wear and enhances accuracy.

MASSIVE FRICTION BEARING

The heavy-duty, wear-resistant friction bearing minimizes the amount of kinematic play, thus ensuring consistently precise milling results.

1 | *When pivoted in front of the milling drum, the right-hand rear wheel allows precise milling along obstacles such as kerbs or walls.*



Highlights

in milling and loading

KEY TO SUCCESS

POWER OF INNOVATION IS NEEDED TO CREATE HIGH-TECH. WIRTGEN HAS ALWAYS HEEDED THIS PRINCIPLE, BANKING ON COMPONENTS THAT SET THE BAR HIGH. ONE OF THEM IS THE MILLING DRUM UNIT INSTALLED IN THE W 50 R/W 50 Ri/W 60 R/W 60 Ri. IT COMBINES A WEALTH OF EXPERIENCE GAINED OVER DECADES WITH FORWARD-THINKING TECHNOLOGIES. PLUS NUMEROUS ADD-ON FEATURES AND LOADING OPTIONS FOR THE REAR LOADER W 50 R/W 50 Ri/W 60 R/W 60 Ri. BUT ALWAYS POWERFUL. ALWAYS PRODUCTIVE. ALWAYS FAST.



Superior cutting technology boosts performance

22
23

A host of smart solutions for the milling drum, side plates, scraper blade and gradation control beam make the milling process faster and easier whilst ensuring higher quality.

HT08 TOOLHOLDER SYSTEM

The newly developed HT08 toolholder system impresses with high wear resistance and an extended lifespan.

SMALL NON-MILLED STRIPS

The extremely small distance of the right-hand milling edge to the outer edge of the machine ensures that only a minimum amount of residual material remains on the milled surface.

HYDRAULICALLY LIFTING SIDE PLATES WITH PROACTIVE FLOATING FEATURE

Overload sensors installed at the side plates left and right cause the side plates to be lifted briefly, for example, to prevent sinking in on soft ground.

AUTOMATIC RAISING OF SCRAPER

Overload sensors protect the milling drum unit from damage: they cause the scraper blade to be raised briefly, for example, to avoid obstacles or ground irregularities.

1 | *The round milling drum housing optimizes material transport at a milling width of up to 210 mm.*

2 | *Numerous different milling drums are available for a wide range of milling applications.*

3 | *The side plates can be lifted hydraulically on both sides of the machine.*



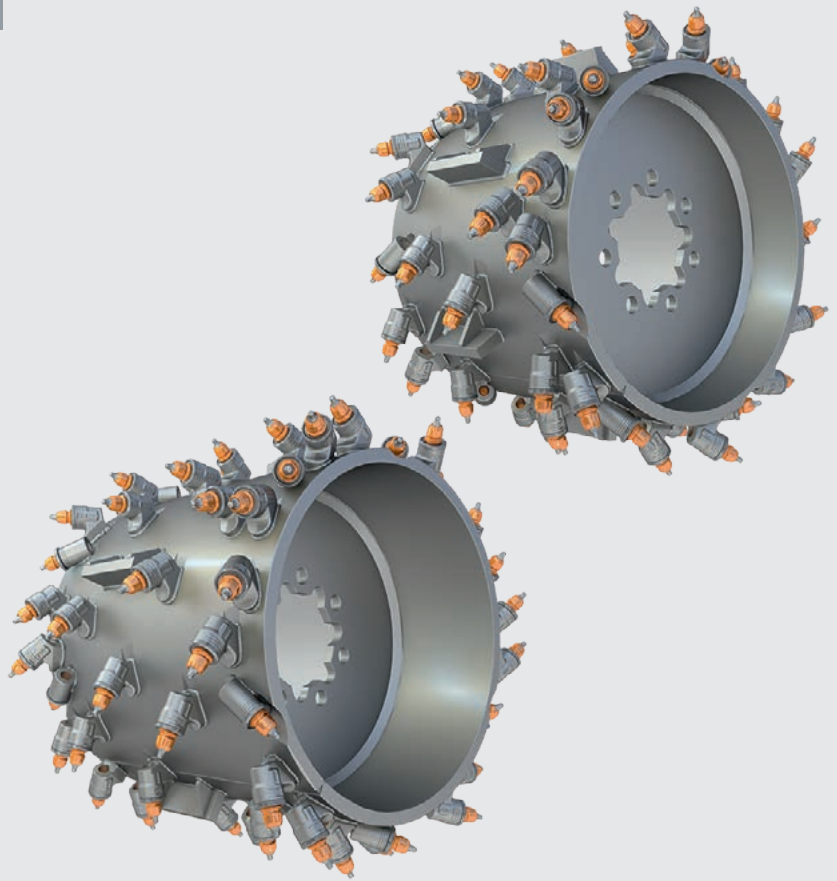
DECOUPLED SCRAPER BLADE

The scraper blade has been decoupled from the loading conveyor, which permits partial loading even when milling at the maximum possible depth.

BROOM

The sweeper unit installed at the front of the machine cleans the milling surface by means of a rotating broom to allow precise milling along a previously milled cut.

2 |



3 |



High loading capacity for maximum performance

24
25

A cold milling machine is only ever as good as its material loading system. That is why the W 50 R/W 50 Ri/W 60 R/W 60 Ri has been designed with maximum loading performance in mind.

WIDE CONVEYOR SLEWING ANGLE

Wide conveyor slewing angles of 30° each to the left and right permit the milled material to be loaded even in difficult site conditions.

BELT WIDTH OF 350 MM AND CLEAT HEIGHT OF 25 MM

The extra-large belt width of 350 mm and cleat height of 25 mm guarantee high conveying capacity.

HYDRAULIC FOLDING CONVEYOR

The hydraulic folding conveyor is folded quickly for easy transport and to allow adjustment to site conditions.

QUICK-RELEASE COUPLING

The innovative quick-release coupling ensures easy plugging and unplugging of the hydraulic connections when mounting or removing the discharge conveyor.



1 | The small milling machine ensures powerful, efficient loading of the milling material.

2 | Large conveyor slewing angles to both sides offer flexibility in material loading.

3 | The folding conveyor reduces the machine's transport length.

4 | The quick-release coupling speeds up mounting and removal of the discharge conveyor.



Highlights in performance
and productivity





EXTREMELY POWERFUL - YET EXTREMELY ECONOMICAL

THE SMALL MILLING MACHINE IS PACKED WITH LOTS OF POTENTIAL IN COMPACT DESIGN. FOR THE NUMEROUS SMALL-SCALE REHABILITATION MEASURES. VERSATILE APPLICATION. COMPELLING PERFORMANCE. FEATURING PIONEERING TECHNOLOGIES AND INNOVATIVE SOLUTIONS. THE ENVIRONMENT BENEFITS AS WELL. LOW EMISSION LEVELS PROTECT BOTH THE OPERATOR AND THE ENVIRONMENT. PERFORMANCE IS NOT A MATTER OF SIZE.

High traction ensured by optimum weight distribution

28
29

High traction is a key productivity driver. Ideal distribution of the weight of the W 50 R/ W 50 Ri/W 60 R/W 60 Ri ensures consistently high traction regardless of site conditions.

SUPPLEMENTARY WEIGHTS

The low empty weight of the small milling machine and variable supplementary weights of up to 1,000 kg altogether combine to offer high operating weight, optimum traction and ease of transport as needed.

EXCEPTIONALLY LOW CENTRE OF GRAVITY

The machine's exceptionally low centre of gravity and matching weight distribution ensure optimum traction at all times.

1 | *Strength-sapping milling operations are no problem at all thanks to high traction.*

WATER AND DIESEL TANKS MOUNTED IN THE CENTRE OF THE MACHINE

Water and diesel tanks arranged in the centre of the machine ensure a neutral distribution of the axle load and optimum traction regardless of the tanks' filling levels.

HIGH MACHINE STABILITY

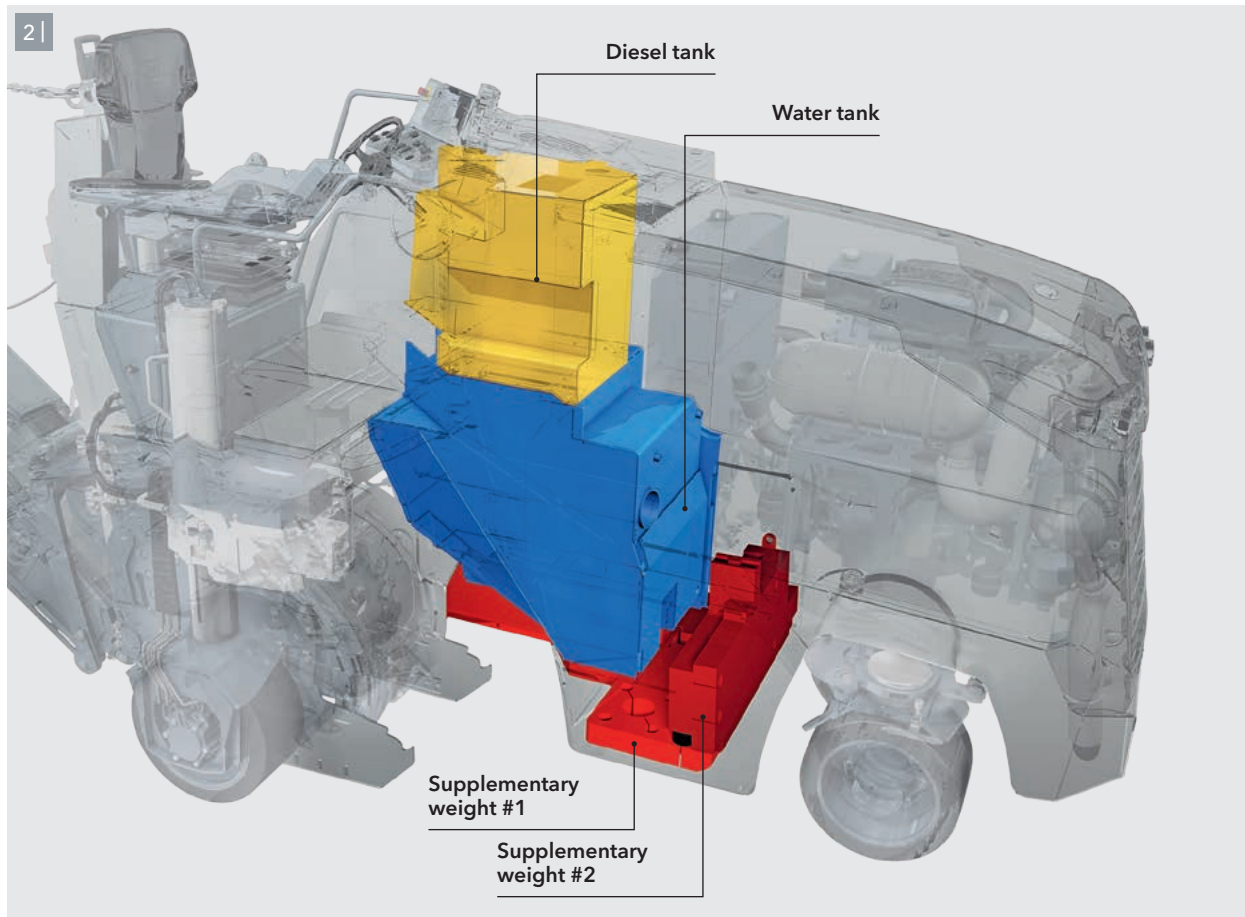
The intelligently designed four-wheel axle offers perfect manoeuvrability regardless of site conditions.



11

2 | Supplementary weights and tanks mounted in the centre of the machine ensure maximum traction in every job.

3 | Ease of transport is yet another mark in favour of the small milling machine.



Best-in-class productivity

30
31

Complete every job up to 20% faster whilst maximizing cost savings: the high engine power and intelligent engine management of the small milling machine are major contributors to this performance feature.

TREMENDOUS ENGINE POWER

The exceedingly powerful, high-torque engine guarantee fast, productive operation even at the maximum milling depth.

STATE-OF-THE-ART ENGINE CONTROL

The engine speed is adjusted to the specific requirements, which ensures low-noise operation and minimizes diesel consumption. The cooling system with temperature-controlled fan speed also contributes to lower noise emission levels.

THREE DIFFERENT MILLING DRUM SPEEDS

Three different milling drum speeds enable tremendous milling outputs in a wide range of applications.

HYDRAULICALLY OPERATED POWER BELT TENSIONER

The automatically engaging, hydraulically operated power belt tensioner enables efficient and reliable transmission of power.

11



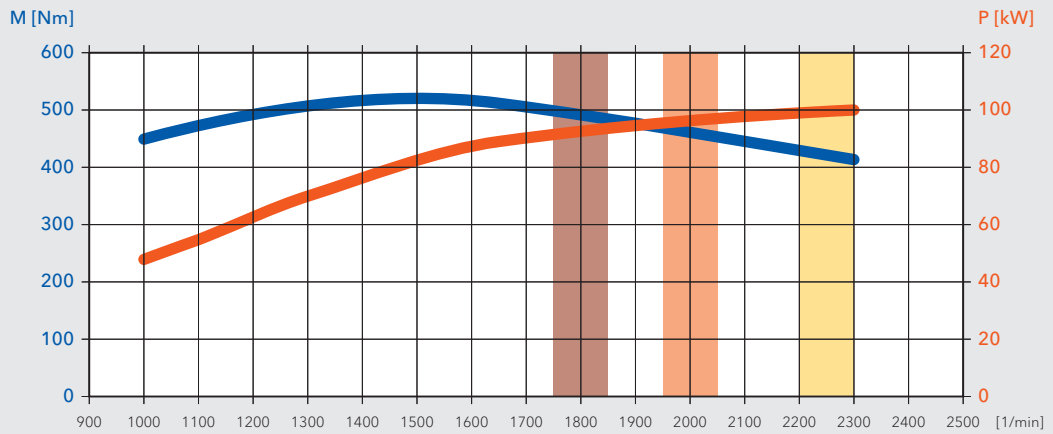
1 | The engine installed in the W 50 Ri/W 60 Ri complies with exhaust emission standards EU Stage 4/ US Tier 4f.

2 | Ready access to machine components ensures ease of maintenance.

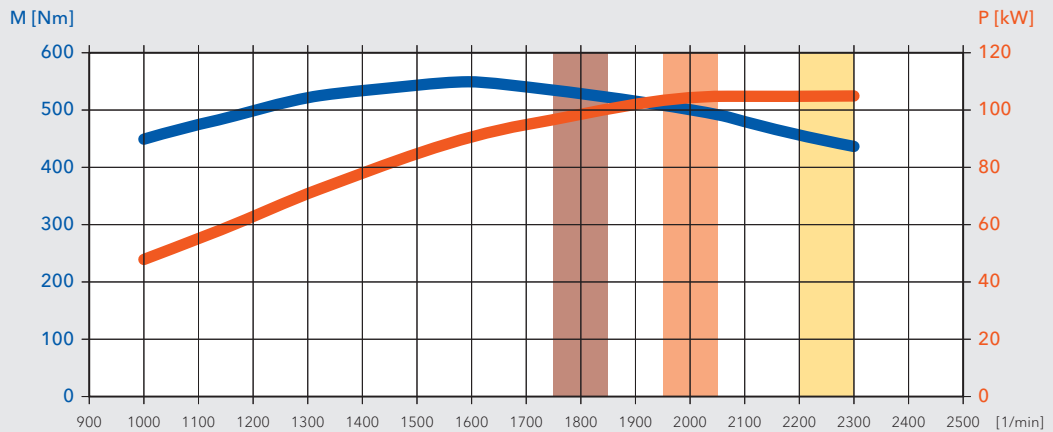
3 | The engine controller increases the torque under high load which results in high milling performance.



3 | ENGINE CHARACTERISTICS COLD MILLING MACHINE W 50 R/W 60 R



ENGINE CHARACTERISTICS COLD MILLING MACHINE W 50 Ri/W 60 Ri



— Engine output
— Torque

■ Engine speed = 1,800 rpm

■ Engine speed = 2,000 rpm

■ Engine speed = 2,250 rpm

Technical specification

W 50 R | W 50 Ri | W 60 R | W 60 Ri

32
33

	W 50 R	W 60 R	W 50 Ri	W 60 Ri
Milling drum				
Milling width	500 mm	600 mm	500 mm	600 mm
Milling depth *1	0 to 210 mm	0 to 210 mm	0 to 210 mm	0 to 210 mm
Drum diameter with tools	750 mm	750 mm	750 mm	750 mm
Engine				
Motorhersteller	Deutz		Deutz	
Type	TCD 2012 L04 V2		TCD 4,1 L4	
Cooling	Water		Water	
Number of cylinders	4		4	
Rated power at 2,300 rpm	100 kW/134 HP/136 PS		105 kW/141 HP/143 PS	
Maximum power at 2,300 rpm	100 kW/134 HP/136 PS		105 kW/141 HP/143 PS	
Displacement	4,100 cm ³		4,100 cm ³	
Fuel consumption at rated power	26.8 l/h		28.2 l/h	
Fuel consumption in field mix	10.8 l/h		11.3 l/h	
Emission standards	EU Stage 3a/US Tier 3		EU Stage 4/US Tier 4f	
Electrical system				
Electrical power supply	24 V		24 V	
Tank capacities				
Fuel tank	230 l			
AdBlue®/DEF tank	-	17.5 l		
Hydraulic oil tank	63 l			
Water tank	600 l			
Driving properties				
Max. milling speed	0 to 48 m/min (0 to 2.9 km/h)			
Max. travel speed 3-wheeled model	0 to 133 m/min (0 to 8 km/h)			
Max. travel speed 4-wheeled model	0 to 200 m/min (0 to 12 km/h)			
Tyres				
Tyre size front, 3-wheeled or 4-wheeled model (Ø x W)	530 x 300 mm			
Tyre size rear, 3-wheeled or 4-wheeled model (Ø x W)	559 x 254 mm			
Loading of the milled material				
Belt width of discharge conveyor	350 mm			
Theoretical capacity of discharge conveyor	80 m ³ /h			

*1 = The maximum milling depth may deviate from the value indicated due to tolerances and wear.

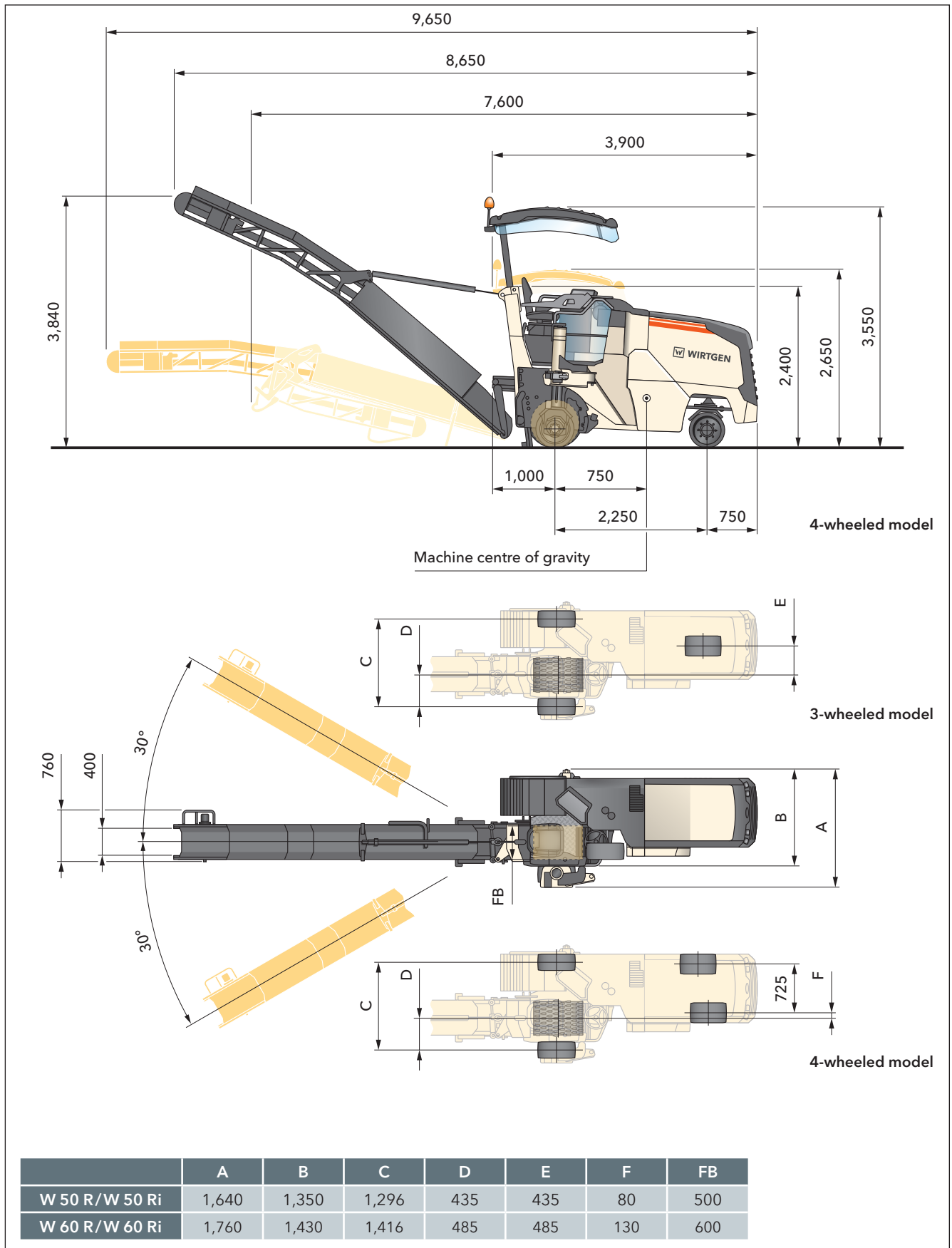
	W 50 R	W 60 R	W 50 Ri	W 60 Ri
Weight of base machine				
Empty weight of machine, 3-wheeled model without conveyor and tank contents	6,430 kg	6,950 kg	6,430 kg	6,950 kg
Operating weight, CE*2, 3-wheeled model without conveyor	6,930 kg	7,450 kg	6,930 kg	7,450 kg
Operating weight, max. (full tanks, full range of equipment)	9,695 kg	9,865 kg	9,714 kg	9,884 kg
Weights of tank contents				
Water tank filling	600 kg			
Diesel tank filling (0.83 kg/l)	190 kg			
AdBlue®/DEF tank filling (1.1 kg/l)	-	19 kg		
Additional add-on weights				
Driver and tools				
Driver	75 kg			
Weight of 2 cutting tool containers	50 kg			
On-board tools	30 kg			
Optional milling drum assemblies in lieu of standard				
Milling drum housing FB500 with scraper system	360 kg	-	360 kg	-
Milling drum housing FB600 with scraper system	-	370 kg	-	370 kg
Optional milling drums in lieu of standard				
FCS milling unit FB400 HT08 LA15 incl. scraper bottom parts	-55 kg	-	-55 kg	-
FCS milling unit FB300 HT08 LA15 incl. scraper bottom parts	-105 kg	-	-105 kg	-
Milling drum FB80 HT02 MD210 with 24 picks	-163 kg	-190 kg	-163 kg	-190 kg
Milling drum FB300 HT08 LA15 with 47 picks	-86 kg	-	-86 kg	-
Milling drum FB400 HT08 LA15 with 54 picks	-45 kg	-	-45 kg	-
Micro-fine milling drum FB500 HT4 LA3 with 166 mini-picks	-64 kg	-	-64 kg	-
Fine Milling drum FB500 HT5 LA6 with 84 picks	5 kg	-	5 kg	-
Fine milling drum FB600 HT5 LA6 with 101 picks	-	3 kg	-	3 kg
Milling drum Eco-Cutter FB500 HT08 LA20 with 54 picks	-6 kg	-	-6 kg	-
Milling drum Eco-Cutter FB600 HT08 LA20 with 58 picks	-	-13 kg	-	-13 kg
Mounting side milling wheel FB80, MD300 compl.	-60 kg	-	-60 kg	-
Optional supplementary weights				
Supplementary weight for flexible use 1	380 kg	Standard	380 kg	Standard
Supplementary weight for flexible use 2	620 kg			
Optional additional equipment				
Discharge conveyor, 5,600 mm long, 350 mm wide (without scraper system)	480 kg			
Discharge conveyor 5,600 mm long, 350 mm wide, with hydraulic folding device (without scraper system)	560 kg			
Shortened discharge conveyor, 1,100 mm long, 350 mm wide (without scraper system)	210 kg			
4-wheeled model in lieu of 3-wheeled model	130 kg			
Canopy	150 kg			

*2 = Weight of machine with half-full water tank, half-full fuel tank, driver (75 kg) and on-board tools, excluding optional equipment

Dimensions

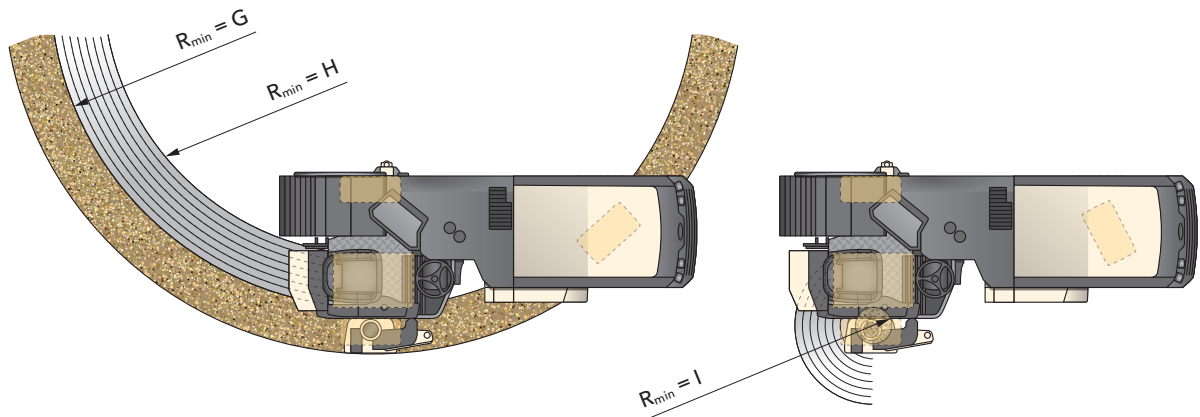
W 50 R | W 50 Ri | W 60 R | W 60 Ri

34
35

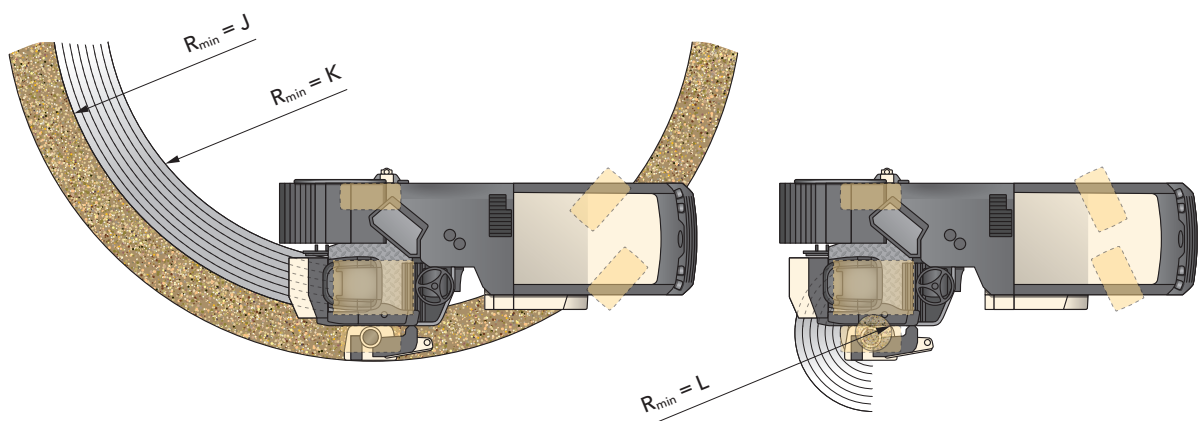


Dimensions in mm

3-wheeled model



4-wheeled model



	3-wheeled model			4-wheeled model		
	G	H	I	J	K	L
W 50 R/W 50 Ri	2,900	2,400	150	2,350	1,850	150
W 60 R/W 60 Ri	3,000	2,400	50	2,450	1,850	50

Milling radius, 50 mm milling depth, dimensions in mm

Standard equipment

W 50 R | W 50 Ri | W 60 R | W 60 Ri

36
37

	W 50 R	W 60 R	W 50 Ri	W 60 Ri
Base machine				
Engine cover with noise insulation and flexibly decoupled engine mounting for especially quiet running and low noise emissions	■	■	■	■
Milling drum unit				
Automatically activating, hydraulic drive belt tensioner for reliable power transmission to the milling drum	■	■	■	■
Hydraulically lifting side plates with position measuring sensors in the hydraulic cylinders for measuring the milling depth.	■	■	■	■
Round milling drum housing and straight left side plate for optimum material transport, making for low left-over amounts when lifting out the milling drum	■	■	■	■
Prepared for using a scraper decoupled from the conveyor suspension for loading material using discharge conveyor	■	■	■	■
The right side of the milling drum housing can easily be folded down for maintenance or milling drum change	■	■	■	■
Optimised for quick change of the milling drum, including by using centring pins with the side door of the milling drum housing	■	■	■	■
With automatic electrical safety shut-off for the milling drum	■	■	■	■
Milling drum housing FB500 without scraper system, for use without discharge conveyor	□	–	□	–
Milling drum housing FB600 without scraper system, for use without discharge conveyor	–	□	–	□
Manually adjustable front milling drum unit seal FB500	□	–	□	–
Manually adjustable front milling drum unit seal FB600	–	□	–	□
Milling drums				
Milling drum FB500 HT08 LA15 with 60 picks	□	–	□	–
Milling drum FB600 HT08 LA15 with 70 picks	–	□	–	□
Milled-out material loading				
Machine prepared for optional material loading by discharge conveyor	■	■	■	■
Conveyor speed continuously variable	■	■	■	■
Conveyor slewing angle right/left 30 degrees each for significantly improved loading procedures	■	■	■	■
Slender conveyor suspension permits improved visibility to the rear	■	■	■	■
Machine without hydraulic preliminary equipment for a discharge conveyor	□	□	□	□
Machine without preliminary belt equipment and discharge conveyor	□	□	□	□
Machine control and levelling system				
Digital milling depth indicator in the control display	□	□	□	□
Operator's stand				
Operator's stand with ergonomically arranged operator's seat, control panel arranged on the right and digital milling depth indicator in the control display	■	■	■	■
Steering console with adjustable rake and reach for ideal adaptation of the operator's stand to the operator	■	■	■	■

- = Standard equipment
- = Standard equipment, replaceable with optional equipment
- = Optional equipment

	W 50 R	W 60 R	W 50 Ri	W 60 Ri
Operator's stand				
2 rear-view mirrors left	■	■	■	■
Machine design permits unobstructed view of the milled edge at the right and left as well as the working area in front of the milling drum on the right	■	■	■	■
Conveniently accessible ladder/footstep to the operator's stand with night-time lighting and especially low, folding bottom edge of the latter/footstep	■	■	■	■
Robust anti-vandalism protection for the controls	■	■	■	■
Standard operator's seat	□	□	□	□
Under-carriage and height adjustment				
Precise machine height adjustment in 1 or 5 mm steps from the machine control panel	■	■	■	■
Infinitely variable, hydraulic all-wheel drive with three speed ranges	■	■	■	■
Digital load control, manual engageable, hydraulic differential lock (by flow distributor)	■	■	■	■
Particularly wide solid rubber tyres (300 mm) for the lowest ground pressures and optimum traction	■	■	■	■
For milling along kerb edges, the rear right support wheel can be swivelled hydraulically from the operator's stand in front of the milling drum. In addition, the machine does not have to be lowered.	■	■	■	■
Hydraulic spring-loaded brake	■	■	■	■
Proportional height adjustment at rear	■	■	■	■
3-wheel crawler unit	□	□	□	□
Others				
Optimized center of gravity position, irrespective of the filling levels of the water and fuel tanks	■	■	■	■
Particularly low machine center of gravity for high stability of the machine	■	■	■	■
Robust and easily maintained machine chassis with optimum ground clearance and short overhangs	■	■	■	■
Device for towing away	■	■	■	■
Reversing horn	■	■	■	■
Machine equipment with an additional weight 838 lbs/ 380 kg behind the front axle. The additional weight increases the machine traction.	—	■	—	■
Large tool package with lockable tool box and additional storage space for two pick buckets	■	■	■	■
European type test certificate, Euro Test-mark and CE conformity	■	■	■	■
Paint standard cream white RAL 9001	□	□	□	□
Halogen/LED lighting package including rotating beacon	□	□	□	□

- = Standard equipment
- = Standard equipment, replaceable with optional equipment
- = Optional equipment

Optional equipment

W 50 R | W 50 Ri | W 60 R | W 60 Ri

38
39

	W 50 R	W 60 R	W 50 Ri	W 60 Ri
Milling drum unit				
Milling drum housing FB500 with scraper system, for use with discharge conveyor	<input type="checkbox"/>	–	<input type="checkbox"/>	–
Milling drum housing FB600 with scraper system, for use with discharge conveyor	–	<input type="checkbox"/>	–	<input type="checkbox"/>
Hydraulically adjustable front milling drum unit seal FB500, including overload sensor	<input type="checkbox"/>	–	<input type="checkbox"/>	–
Hydraulically adjustable front milling drum unit seal FB600, including overload sensor	–	<input type="checkbox"/>	–	<input type="checkbox"/>
Overload sensor on the scraper FB500/600	<input type="checkbox"/>	<input type="checkbox"/>	<input type="checkbox"/>	<input type="checkbox"/>
Active floating position for the right and left side plates	<input type="checkbox"/>	<input type="checkbox"/>	<input type="checkbox"/>	<input type="checkbox"/>
Milling drums				
FCS milling unit FB300 HT08 LA15 including scraper bottom parts	<input type="checkbox"/>	–	<input type="checkbox"/>	–
FCS milling unit FB400 HT08 LA15 including scraper bottom parts	<input type="checkbox"/>	<input type="checkbox"/>	<input type="checkbox"/>	<input type="checkbox"/>
FCS milling unit FB500 HT08 LA15 including scraper bottom parts	–	<input type="checkbox"/>	–	<input type="checkbox"/>
Milling drum FB80 HT02 MD210 with 24 picks	<input type="checkbox"/>	<input type="checkbox"/>	<input type="checkbox"/>	<input type="checkbox"/>
Milling drum FB300 HT08 LA15 with 47 picks	<input type="checkbox"/>	–	<input type="checkbox"/>	–
Milling drum FB400 HT08 LA15 with 54 picks	<input type="checkbox"/>	<input type="checkbox"/>	<input type="checkbox"/>	<input type="checkbox"/>
Fine Milling drum FB500 HT5 LA6 with 84 picks	<input type="checkbox"/>	<input type="checkbox"/>	<input type="checkbox"/>	<input type="checkbox"/>
Fine milling drum FB600 HT5 LA6 with 101 picks	–	<input type="checkbox"/>	–	<input type="checkbox"/>
Micro-fine milling drum FB500 HT4 LA3 with 166 mini-picks	<input type="checkbox"/>	<input type="checkbox"/>	<input type="checkbox"/>	<input type="checkbox"/>
Milling drum Eco-Cutter FB500 HT08 LA20 with 54 picks	<input type="checkbox"/>	<input type="checkbox"/>	<input type="checkbox"/>	<input type="checkbox"/>
Milling drum Eco-Cutter FB600 HT08 LA20 with 58 picks	–	<input type="checkbox"/>	–	<input type="checkbox"/>
Mounting side milling wheel FB80, MD300 complete	<input type="checkbox"/>	–	<input type="checkbox"/>	–
Adapter for standard milling drum FB500	–	<input type="checkbox"/>	–	<input type="checkbox"/>
Milled-out material loading				
Machine with hydraulic preliminary equipment for a discharge conveyor - screw coupling	<input type="checkbox"/>	<input type="checkbox"/>	<input type="checkbox"/>	<input type="checkbox"/>
Machine with hydraulic preliminary equipment for a discharge conveyor - quick-change coupling	<input type="checkbox"/>	<input type="checkbox"/>	<input type="checkbox"/>	<input type="checkbox"/>
Transport lock for machine with loading conveyor removed	<input type="checkbox"/>	<input type="checkbox"/>	<input type="checkbox"/>	<input type="checkbox"/>
Discharge conveyor, 5,600 mm long, 350 mm wide	<input type="checkbox"/>	<input type="checkbox"/>	<input type="checkbox"/>	<input type="checkbox"/>
Shortened discharge conveyor, 1,100 mm long, 350 mm wide	<input type="checkbox"/>	<input type="checkbox"/>	<input type="checkbox"/>	<input type="checkbox"/>
Discharge conveyor 5,600 mm long, 350 mm wide, with hydraulic folding device	<input type="checkbox"/>	<input type="checkbox"/>	<input type="checkbox"/>	<input type="checkbox"/>
Additional shortened discharge conveyor, 1,100 mm long, 350 mm wide	<input type="checkbox"/>	<input type="checkbox"/>	<input type="checkbox"/>	<input type="checkbox"/>
Hydraulic connection adapter screw coupling for additional discharge conveyor	<input type="checkbox"/>	<input type="checkbox"/>	<input type="checkbox"/>	<input type="checkbox"/>
Hydraulic connection adapter quick-change coupling for additional discharge conveyor	<input type="checkbox"/>	<input type="checkbox"/>	<input type="checkbox"/>	<input type="checkbox"/>
Material chute for discharging the milled material to the right side	<input type="checkbox"/>	<input type="checkbox"/>	<input type="checkbox"/>	<input type="checkbox"/>

- = Standard equipment
- = Standard equipment, replaceable with optional equipment
- = Optional equipment

	W 50 R	W 60 R	W 50 Ri	W 60 Ri
Machine control and levelling system				
LEVEL PRO PLUS levelling system right and left	<input type="checkbox"/>	<input type="checkbox"/>	<input type="checkbox"/>	<input type="checkbox"/>
RAPID SLOPE sensor for LEVEL PRO PLUS levelling system	<input type="checkbox"/>	<input type="checkbox"/>	<input type="checkbox"/>	<input type="checkbox"/>
Levelling boom including sensor for LEVEL PRO PLUS levelling system	<input type="checkbox"/>	<input type="checkbox"/>	<input type="checkbox"/>	<input type="checkbox"/>
Operator's stand				
Comfort operator's seat including seat heating	<input type="checkbox"/>	<input type="checkbox"/>	<input type="checkbox"/>	<input type="checkbox"/>
Operator's stand with weather canopy and lateral weather protection elements	<input type="checkbox"/>	<input type="checkbox"/>	<input type="checkbox"/>	<input type="checkbox"/>
Monitor system with 2 cameras and screen	<input type="checkbox"/>	<input type="checkbox"/>	<input type="checkbox"/>	<input type="checkbox"/>
Under-carriage and height adjustment				
4-wheel crawler unit	<input type="checkbox"/>	<input type="checkbox"/>	<input type="checkbox"/>	<input type="checkbox"/>
Precision steering by pushbuttons for machine with 3-wheel chassis (up to 8 km/h)	<input type="checkbox"/>	<input type="checkbox"/>	<input type="checkbox"/>	<input type="checkbox"/>
Precision steering by pushbuttons for machine with 4-wheel chassis	<input type="checkbox"/>	<input type="checkbox"/>	<input type="checkbox"/>	<input type="checkbox"/>
Increased travelling speed (3-wheel up to 8 km/h, 4-wheel up to 12 km/h)	<input type="checkbox"/>	<input type="checkbox"/>	<input type="checkbox"/>	<input type="checkbox"/>
Others				
Paint in one special colour (RAL)	<input type="checkbox"/>	<input type="checkbox"/>	<input type="checkbox"/>	<input type="checkbox"/>
Paint in two special colours (RAL)	<input type="checkbox"/>	<input type="checkbox"/>	<input type="checkbox"/>	<input type="checkbox"/>
Paint in maximum two special colours with substructure in special colour (RAL)	<input type="checkbox"/>	<input type="checkbox"/>	<input type="checkbox"/>	<input type="checkbox"/>
High-power lighting package LED including rotating beacon	<input type="checkbox"/>	<input type="checkbox"/>	<input type="checkbox"/>	<input type="checkbox"/>
Additional weight 380 kg behind the front axle	<input type="checkbox"/>	–	<input type="checkbox"/>	–
Additional weight 620 kg on underbody	<input type="checkbox"/>	<input type="checkbox"/>	<input type="checkbox"/>	<input type="checkbox"/>
Milling drum assembly trolley for milling drums up to FB600	<input type="checkbox"/>	<input type="checkbox"/>	<input type="checkbox"/>	<input type="checkbox"/>
Electric preheating of the fuel filter	–	–	<input type="checkbox"/>	<input type="checkbox"/>
Hydraulic connection for additional devices on the rear of the machine	<input type="checkbox"/>	<input type="checkbox"/>	<input type="checkbox"/>	<input type="checkbox"/>
Powerful hydraulic hammer with 10 m connection hose.	<input type="checkbox"/>	<input type="checkbox"/>	<input type="checkbox"/>	<input type="checkbox"/>
Sweeping unit with disk brush	<input type="checkbox"/>	<input type="checkbox"/>	<input type="checkbox"/>	<input type="checkbox"/>
Pre-equipped for installation of Rumble Strip kit	<input type="checkbox"/>	<input type="checkbox"/>	<input type="checkbox"/>	<input type="checkbox"/>
Hydraulically driven water filler pump	<input type="checkbox"/>	<input type="checkbox"/>	<input type="checkbox"/>	<input type="checkbox"/>
Hydraulically driven pick ejector drift	<input type="checkbox"/>	<input type="checkbox"/>	<input type="checkbox"/>	<input type="checkbox"/>
Job data acquisition in the control display	<input type="checkbox"/>	<input type="checkbox"/>	<input type="checkbox"/>	<input type="checkbox"/>

- = Standard equipment
- = Standard equipment, replaceable with optional equipment
- = Optional equipment



WIRTGEN GmbH

Reinhard-Wirtgen-Str. 2 · 53578 Windhagen · Germany
Phone: +49 (0)26 45/131-0 · Fax: +49 (0)26 45/131-392
Internet: www.wirtgen.com · E-Mail: info@wirtgen.com

